



2021

PROMO

NEOLOGIQ  
MACHINING INTELLIGENTLY

valid until September 30th 2021



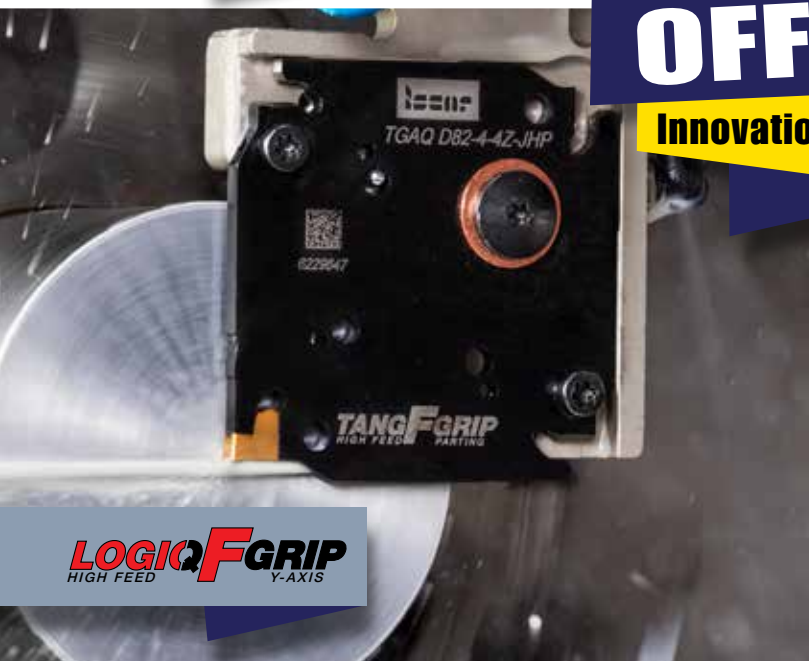
NEODO  
S90° LINE



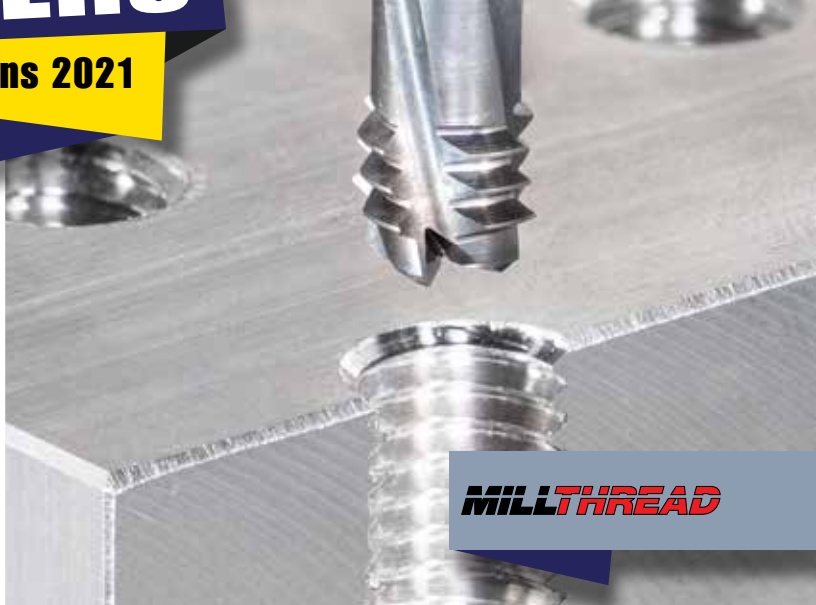
LOGIQ4TURN  
POSITIVE DOUBLE SIDED

SPECIAL OFFERS

Innovations 2021



LOGIQFGRIP  
HIGH FEED Y-AXIS



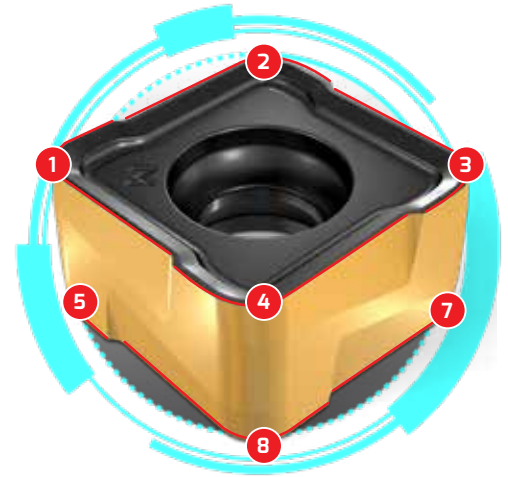
MILLTHREAD

MACHINING IN DUSTRY 4.0 INTELLIGENTLY

Member IMC Group  
iscar  
www.iscar.ca

## Exact 90° Shouldering

A New Milling Line for Square Shoulder and Face Milling.  
A Unique Exact 90° Profile with 8 Cutting Edges in Combination with a Dovetail Clamping Method Enables Higher Cutting Conditions and Assures Better Productivity.



## Purchase

10 S890 SZMU 08 Inserts per Pocket

## Receive

Corresponding Cutter S890 FSZ...-R08

## Free of Charge

Use Promo Code: **T2140**

\* Up to 5"



## High Feed Milling

Unique Twisted High Positive  
4 Cutting Edged Insert. A Range of  
Tools from 0.5" Endmills up to 5" Facemills.  
This New Line of Tools Enables Machining  
at Very High Feeds for High Productivity.



### Purchase

10 FFX4 XNMU 04 Inserts per Pocket

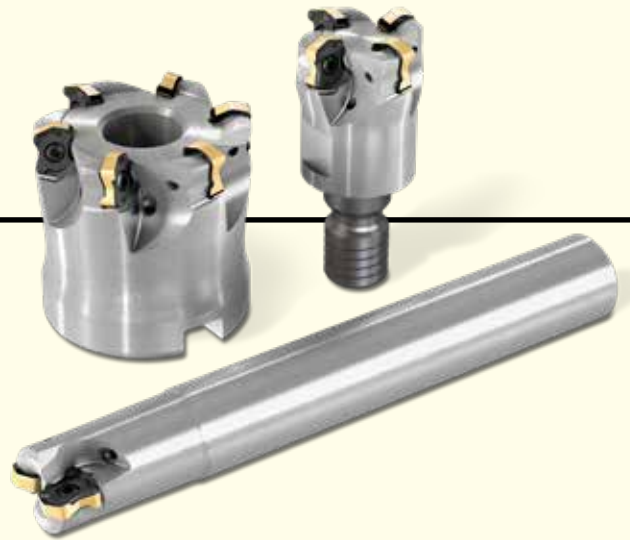
### Receive

Corresponding Cutter FFX4 FE/ED...-04

### Free of Charge

Use Promo Code: **T2141**

\*Up to 2"



### Purchase

10 FFX4 XNMU 08 Inserts per Pocket

### Receive

Corresponding Cutter FFX4 FD...-08

### Free of Charge

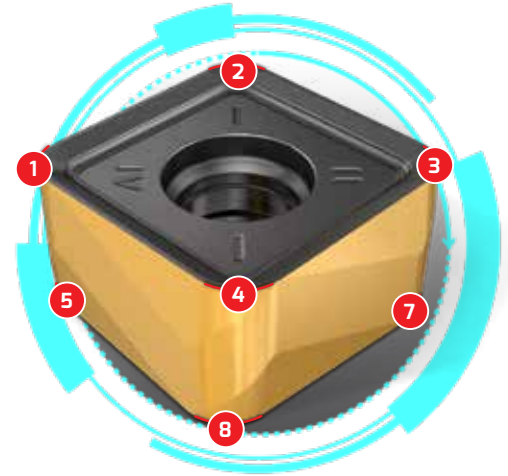
Use Promo Code: **T2142**

\*Up to 5"



## High Feed & Moderate Milling

Unique Insert with 8 Cutting Edges Performs at Fast Feed and Moderate Rates for Different Milling Applications.



## Purchase

10 FFQ8 SZMU 12 Inserts per Pocket

## Receive

Corresponding Cutter FFQ8/MFQ8 D...-12

## Free of Charge

\* Up to 4"

Use Promo Code: **T2143**



**High Feed Parting Tools  
Vibrations Free**

Revolutionary Quad Blade and Unique Holder  
Enables Deeper Parting with High Feed Rates.  
Guaranteed Vibrations - Free, High Part Straightness,  
and Improved Surface Finish Lead to Material Savings.  
A 160 mm Bar Diameter Can be Cut with a 3 mm Insert.



**1**

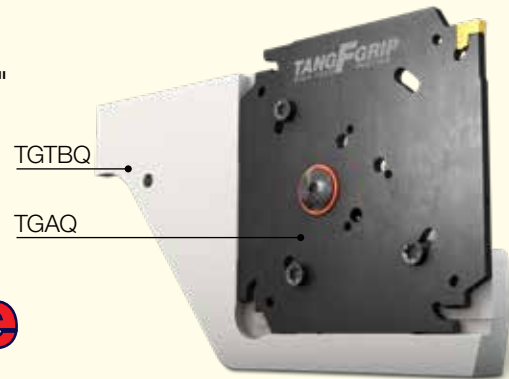
Use Promo Code: **T2144**

**Purchase**  
10 TAG Inserts from Width .079"-.197"  
+ TGTBQ Block

**Receive**  
Corresponding TGAQ Blade

**Free of Charge**

\* JHP Holders are not included



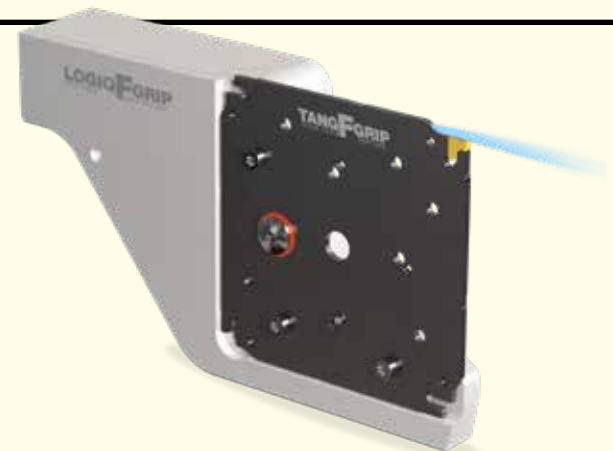
**2**

Use Promo Code: **T2145**

**Purchase**  
20 TAG Inserts  
from Width .079"-.197"  
+ TGTBQ Block

**Receive**  
Corresponding JHP TGAQ Blade

**Free of Charge**



**3**

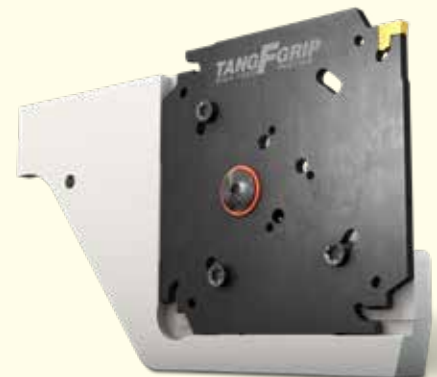
Use Promo Code: **T2146**

**Purchase**  
20 TAG Inserts from Width .079"-.197"

**Receive**  
Corresponding TGAQ Blade

**Free of Charge**

\* JHP Holders are not included



**High Feed Parting Tools**  
**Vibrations Free**

Revolutionary Quad Blade and Unique Holder  
Enables Deeper Parting with High Feed Rates.  
Guaranteed Vibrations - Free Parting, High Part Straightness,  
and Improved Surface Finish.



**1**

Use Promo Code: **T2147**

**Purchase**

10 DGN Inserts  
from Width .079"-.197" + TGTBQ Block

**Receive**

Corresponding DGAQ Blade

**Free of Charge**

\* JHP Holders are not included



**2**

Use Promo Code: **T2148**

**Purchase**

20 DGN Inserts  
from Width .079"-.197" + TGTBQ Block

**Receive**

Corresponding JHP DGAQ Blade

**Free of Charge**



**3**

Use Promo Code: **T2149**

**Purchase**

20 DGN Inserts from Width .079"-.197"

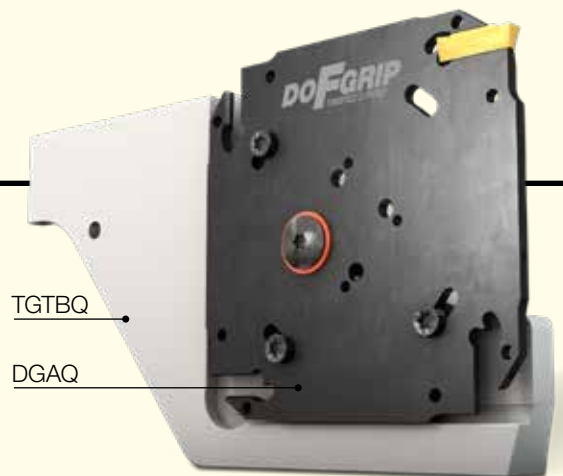
**Receive**

Corresponding DGAQ Blade

**Free of Charge**

\* JHP Holders are not included

**SPECIAL OFFERS**



## High Productivity Drilling

3 Effective Cutting Edges, Self-Centering Drill and Flat Heads for Fast and Accurate Drilling. Excellent Hole Surface and Chip Evacuation. Dia. Range of .472" - 1.020".



1

Use Promo Code: **T2152**

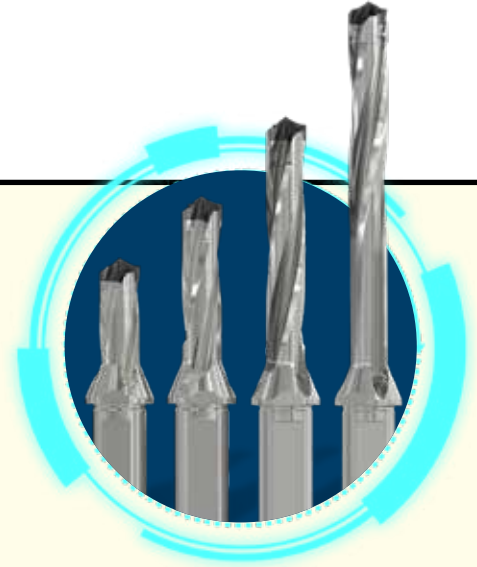
### Purchase

4 H3P/F3P Assorted Inserts  
from Dia .472 - 1.020"

### Receive

Corresponding D3N Drill Body (Up to 8XD)

### Free of Charge



## **SUMOCHAM** CHAMDRILL LINE

The **SUMOCHAM** drill line comprises a revolutionary clamping system for precise machining and high productivity. The wide variety of exchangeable heads provides solutions for drilling all types of materials and applications.

## Innovations 2021



1

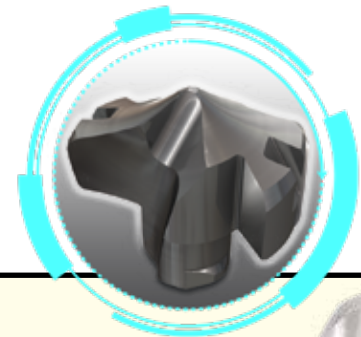
Use Promo Code: **T2153**

### Purchase

6 ICP/HCP/FCP/ICM/ICK/QCP/ICN/ICG,  
Assorted Inserts from Dia .157"-1.295"  
+ Corresponding Drill Body

### Receive 20% Additional Discount

on the Whole Package -  
Tools and Inserts (up to 8XD)



ISCAR offers product families that provide solutions for both external and internal threads according to most standards.

- More flutes in relation to cutting diameter, helical flutes reduce cutting forces
- Sharp ground helical cutting edges
- Short machining time
- Thread diameter accuracy adjustment
- Thread milling next to bottom of blind hole
- Bottom thread relief not required
- Excellent and controlled thread surface finish
- No problem with broken taps
- One tool is suitable for various thread milling profiles
- Easy and efficient machining for thread
- Milling on CNC milling centers



1

## Purchase

Minimum 2 Solid Carbide Mill Thread Assorted Tools

**Receive 20% Additional Discount**

Use Promo Code: **T2154**

**SPECIAL OFFERS**



2

## Purchase

Minimum 4 Solid Carbide Mill Thread Assorted Tools

**Receive 25% Additional Discount**

Use Promo Code: **T2155**



3

## Purchase

Minimum 8 Solid Carbide Mill Thread Assorted Tools

**Receive 30% Additional Discount**

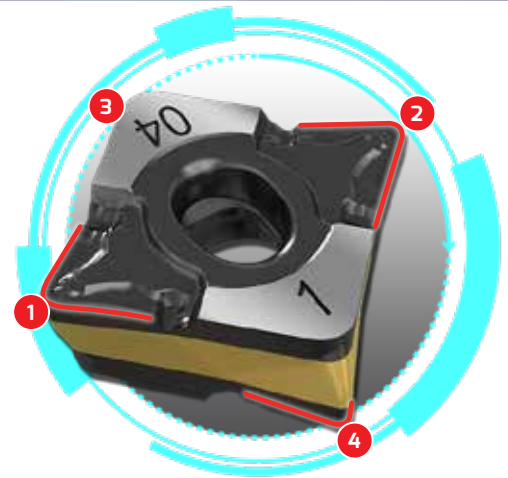
Use Promo Code: **T2156**





**Double-Sided Insert with 4 Positive Cutting Edges**

ISCAR offers new double-sided inserts with 4 unique cutting edges as an advantageous alternative to the conventional ISO standard positive inserts with 2 cutting edges.



**Purchase**

20 CXMG 09... Assorted Inserts

**Receive 50% Additional Discount**

on the Corresponding External Holder

Use Promo Code: **T2157**

\* JHP Holders are not included



**Purchase**

30 CXMG 09... Assorted Inserts

**Receive**

Corresponding External Holder

**Free of Charge**

Use Promo Code: **T2157**

\* JHP Holders are not included



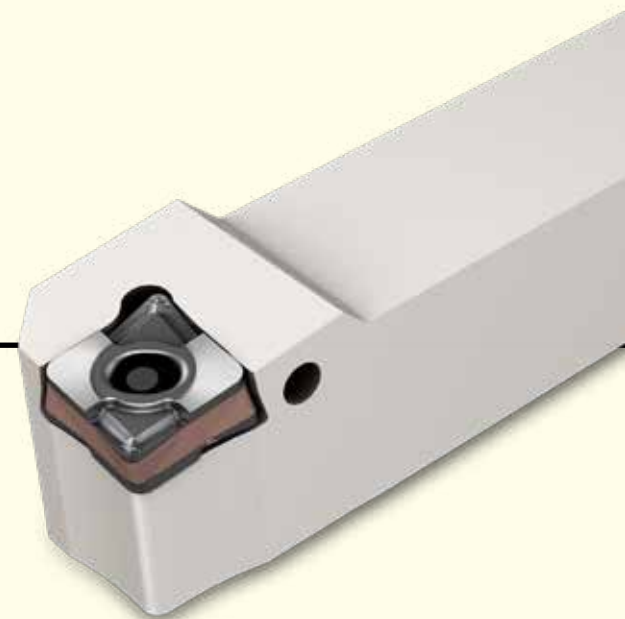
**Purchase**

30 CXMG 09... Assorted Inserts

**Receive 50% Additional Discount**

on the Corresponding Internal Holder

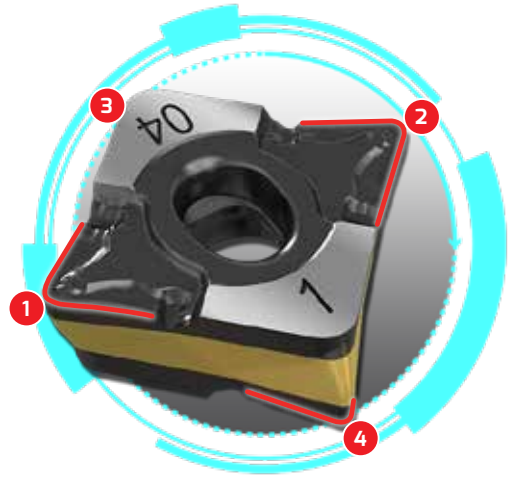
Use Promo Code: **T2157**



**SPECIAL OFFERS**

**Double-Sided Insert with 4 Positive Cutting Edges**

ISCAR offers new double-sided inserts with 4 unique cutting edges as an advantageous alternative to the conventional ISO standard positive inserts with 2 cutting edges.



**Purchase**

20 CXMG 12... Assorted Inserts

**Receive 50% Additional Discount**

on the Corresponding External and Internal Holder

Use Promo Code: **T2158**

\* JHP Holders are not included



**Purchase**

30 CXMG 12... Assorted Inserts

**Receive Corresponding External Holder Free of Charge**

\* JHP Holders are not included

Use Promo Code: **T2158**



**Purchase**

30 CXMG 12... Assorted Inserts

**Receive 50% Additional Discount**

on the Corresponding Internal Holder

Use Promo Code: **T2158**

